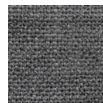


# Silverlake U-Shaped Sectional



Andorra  
Almond



Andorra  
Pewter



Andorra  
Espresso

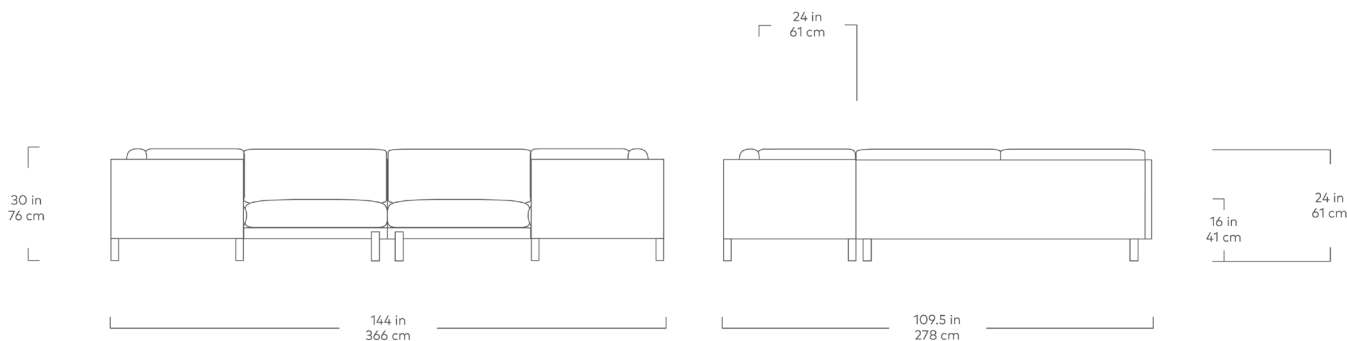
The Silverlake Upholstery Collection is a Scandinavian-inspired seating design that strikes an elegant balance between minimalist styling and a casual, inviting feel. The back and side cushions can be adjusted to your preferred angle, while the generous seat depth enhances the sectional's comfort. Subtle features like pleated fabric details on cushion corners and architectural, black powder-coated steel legs complete Silverlake, laid-back modern aesthetic. The collection is a restful haven for any busy home, office or lobby. The frames are constructed with kiln-dried 100% FSC®-Certified hardwood in support of responsible forest management. Silverlake uses a clean, ultra soft, long-strand fiber fill material that offers the comfort and feel of traditional waterfowl down. This material is created through a process that benefits the environment by diverting 1394 plastic bottles away from landfills, waterways and oceans for each Silverlake U-Shaped Sectional we build.

Design Trade Professionals: We aim to keep our designs in stock and ready to ship quickly for projects on a tight timeline. Designs may be customized with COM and alternate finishes (minimum quantities may apply).

**Gus\***

FOR PRODUCT INFORMATION, SWATCHES + ORDERING: [HELLO@RYPEN.COM](mailto:HELLO@RYPEN.COM) | 800.560.0554 | [WWW.RYPEN.COM](http://WWW.RYPEN.COM)

# Silverlake U-Shaped Sectional



- The collection consists of eight unique configurations: a stand-alone sofa, a long XL sofa, a small-scale loft bi-sectional, a right or left-facing sectional, a right or left-facing XL sectional and a U-shaped sectional.
- Cushions contain an eco-friendly, synthetic-down fill made from 1394 recycled plastic water bottles.
- The U-Shaped Sectional is comprised of 2 Left Arm and 2 Right Arm components.
- Each component includes concealed connectors to securely join them to each other.
- Features a slender tuxedo frame (arms and back are at the same height).
- A slim front rail gives the illusion of the design sitting higher off the ground.
- Front face of the back and side cushions and the top edge of the seat cushions have no visible seams which adds to the minimal look.
- Seat cushions are crafted with high resiliency medium density foam that is reinforced in the front for added support.
- Legs are made from black powder-coated flat bar steel.
- Light assembly required.
- Inner frame is 100% kiln-dried FSC®-Certified hardwood in support of responsible forest management (FSC® 092551).
- All joints have been stress tested.
- No-Sag, sinuous spring suspension system.
- Manufactured to meet California TB117-2013 fire safety standards without the use of flame retardant additives in the upholstery foam.
- All fabric is California TB117-2013 certified and double rub tested.



**Gus\***



PROFESSIONALS

**rypen**  
STUDIO

Register for Our Exclusive  
Project Builder + Ordering Platform

